

---



---



---

---

---

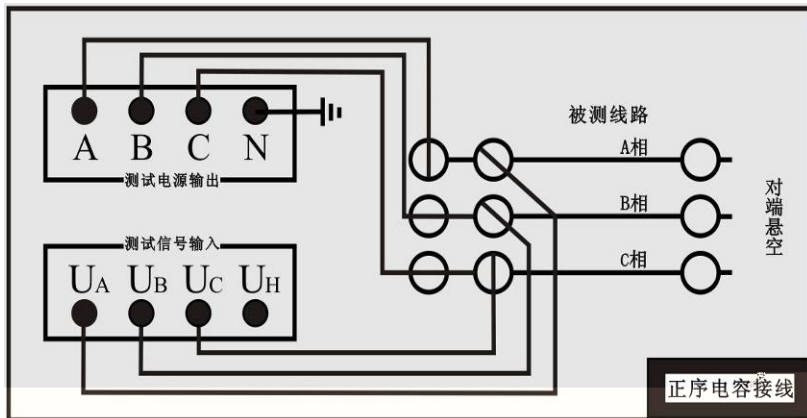
---

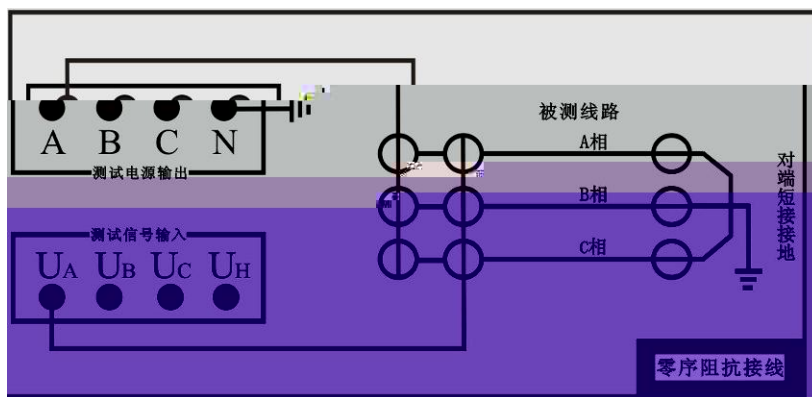
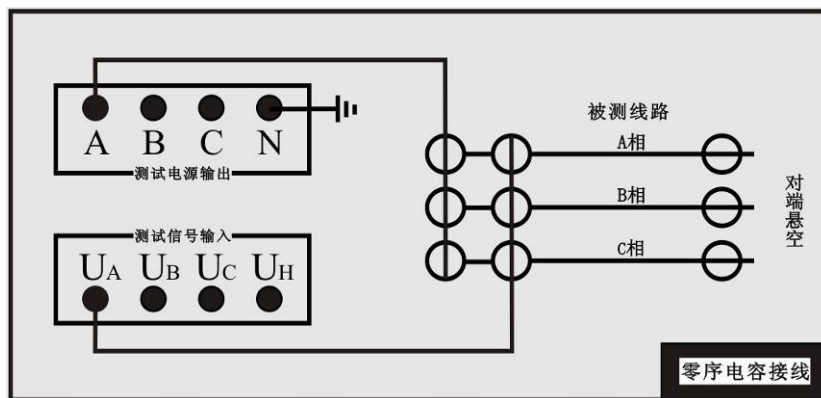
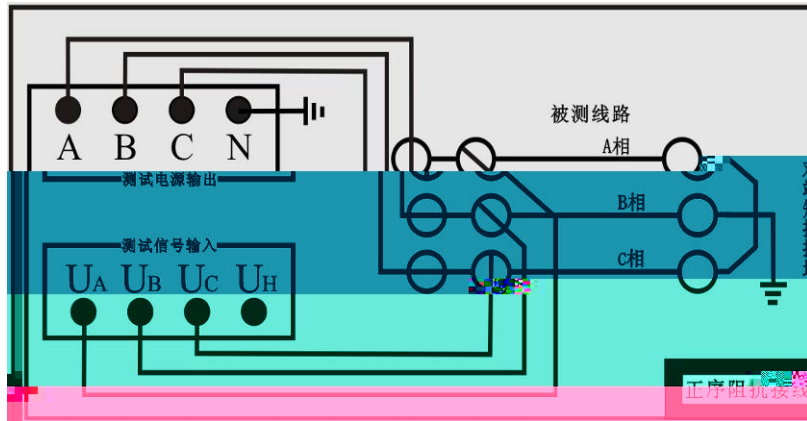
---

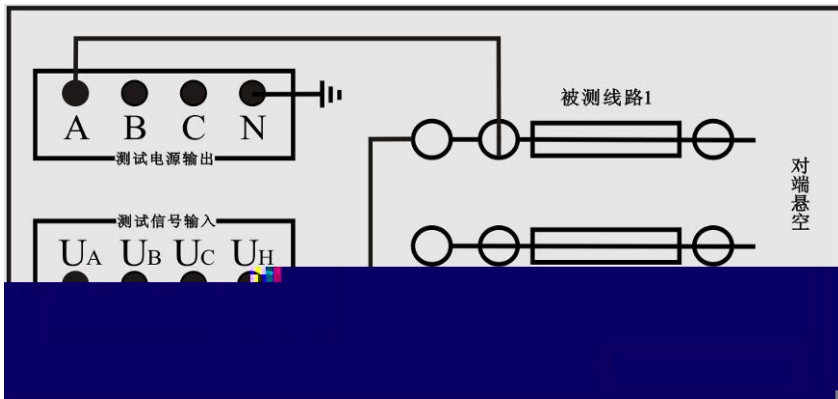
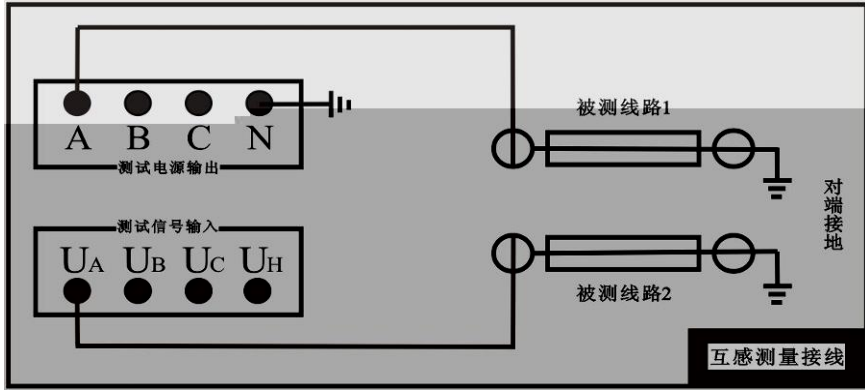
---

---







校时

确认

# 线路参数测量仪

查询

测量

设置

校正

测量电流: 5.0A

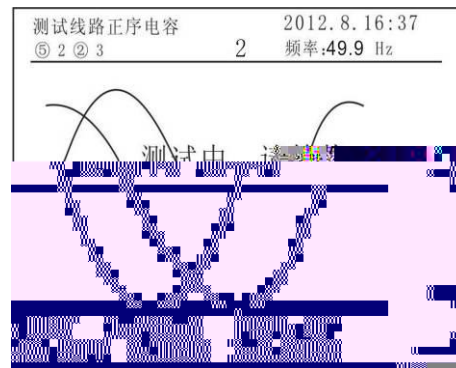
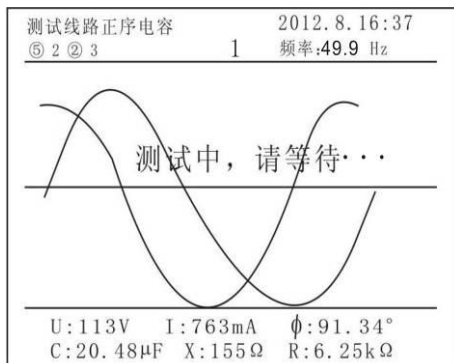
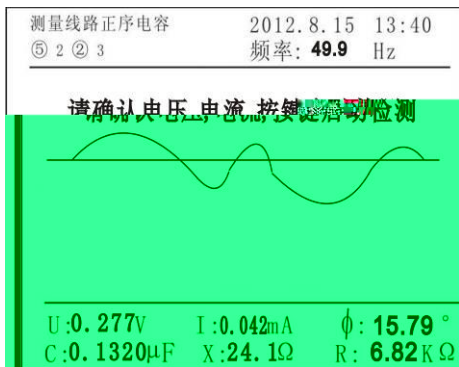
线路长度: 1.0Km

感应电压  
正序阻抗  
零序阻抗  
互感电抗  
正序电容  
零序电容  
耦合电容

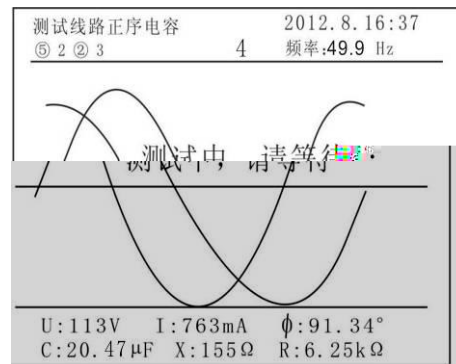
测量线路正序电容

对侧三相开路,本侧分接三相电源和三相测量  
请确认接线,按键启动电源





49.9 Hz	Y: 106.1 + J: 6295 $\mu$ M
A: 99.94 V	625.7mA 91.07°
B: 98.18 V	618.2mA 91.12°
C: 99.08 V	627.3mA 90.69°



49.9Hz	Y: 121.7 + J 6134 $\mu$ M
A: 98.43V	604.4mA 91.17°
B: 96.90V	595.6mA 91.19°
C: 98.02V	599.9mA 91.04°
49.9 Hz	Y: 162.9 + J* 6701 $\mu$ M
A: 110.4V	725.6mA 91.46°
B: 106.5V	721.6mA 91.45°
C: 111.9V	721.0mA 91.26°
Y: 142.3 + j 6418 $\mu$ M/Km	
Y: 60420 $\angle$ -88.72 mM/Km	
正序电容: 20.43 $\mu$ F/Km	

49.9Hz	Y: 121.7 + J 6134 $\mu$ M
A: 98.43V	604.4mA 91.17°
B: 96.90V	595.6mA 91.19°
C: 98.02V	599.9mA 91.04°
49.9 Hz	Y: 162.9 + J 6701 $\mu$ M
A: 110.4V	725.6mA 91.46°
B: 106.5V	721.6mA 91.45°
C: 111.9V	721.0mA 91.26°
Y: 142.3 + j 6418 $\mu$ M/Km	
<input type="button" value="退出"/> <input type="button" value="重测"/> <input type="button" value="存入"/> <input type="button" value="打印"/>	



返回主页?

存入第1组记录



查询第1组记录

1)		
50.0 Hz	Z: 10.25 + j 1.827 Ω	
A: 26.27V	2.470mA	-9.082°
B: 27.61V	2.613mA	-9.481°
C: 26.81V	2.499mA	-10.16°
50.0Hz	Z: 10.54 + j 2.109 μM	
A: 24.85V	2.317mA	-10.81°
B: 26.01V	1.426mA	-11.26°
C: 25.39V	2.345mA	-12.09°
Z: 10.53 + j 2.148 Ω/Km		
Z: 10.75 ∠ 11.52° Ω/Km		
正序阻抗: 6.839mH/Km		



